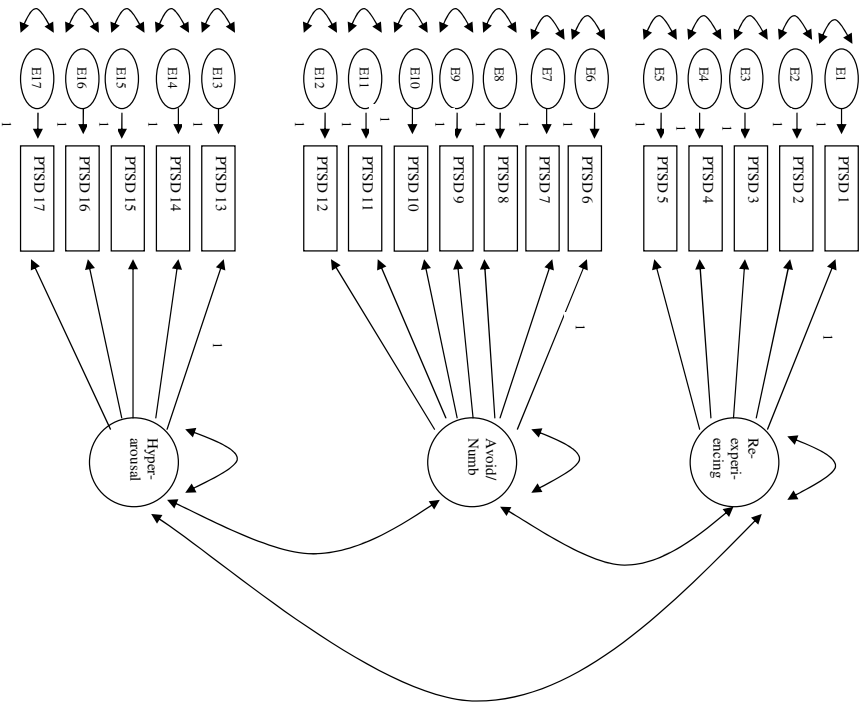


3-Factor PTSD Model



4-Factor PTSD Model

